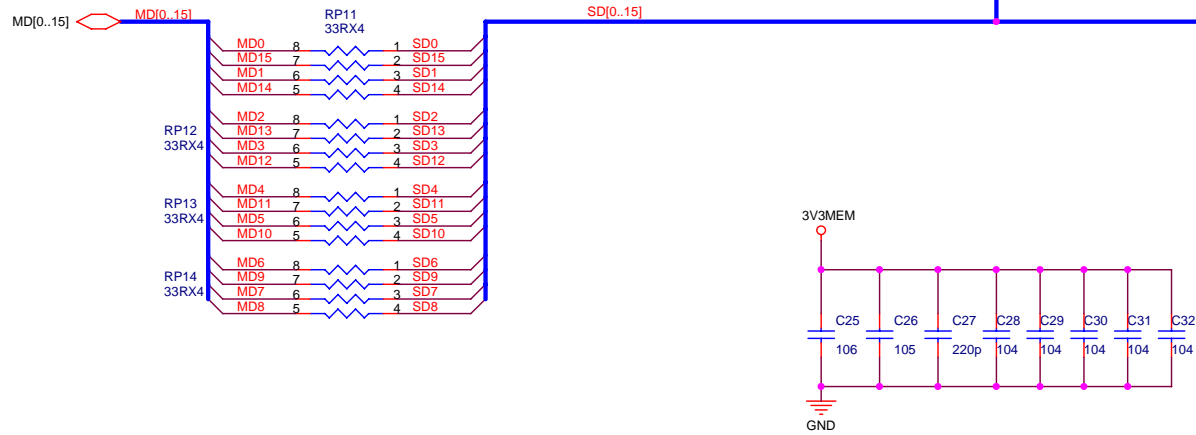
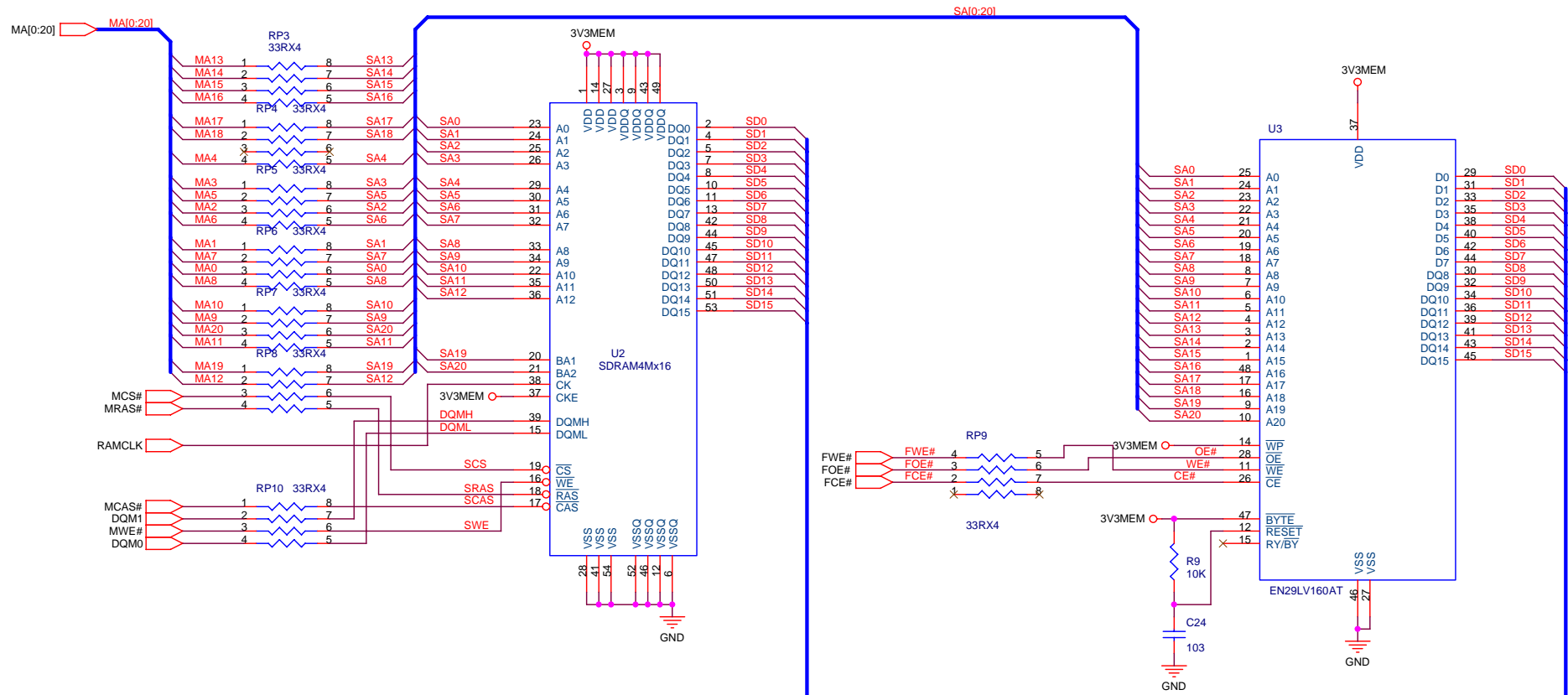
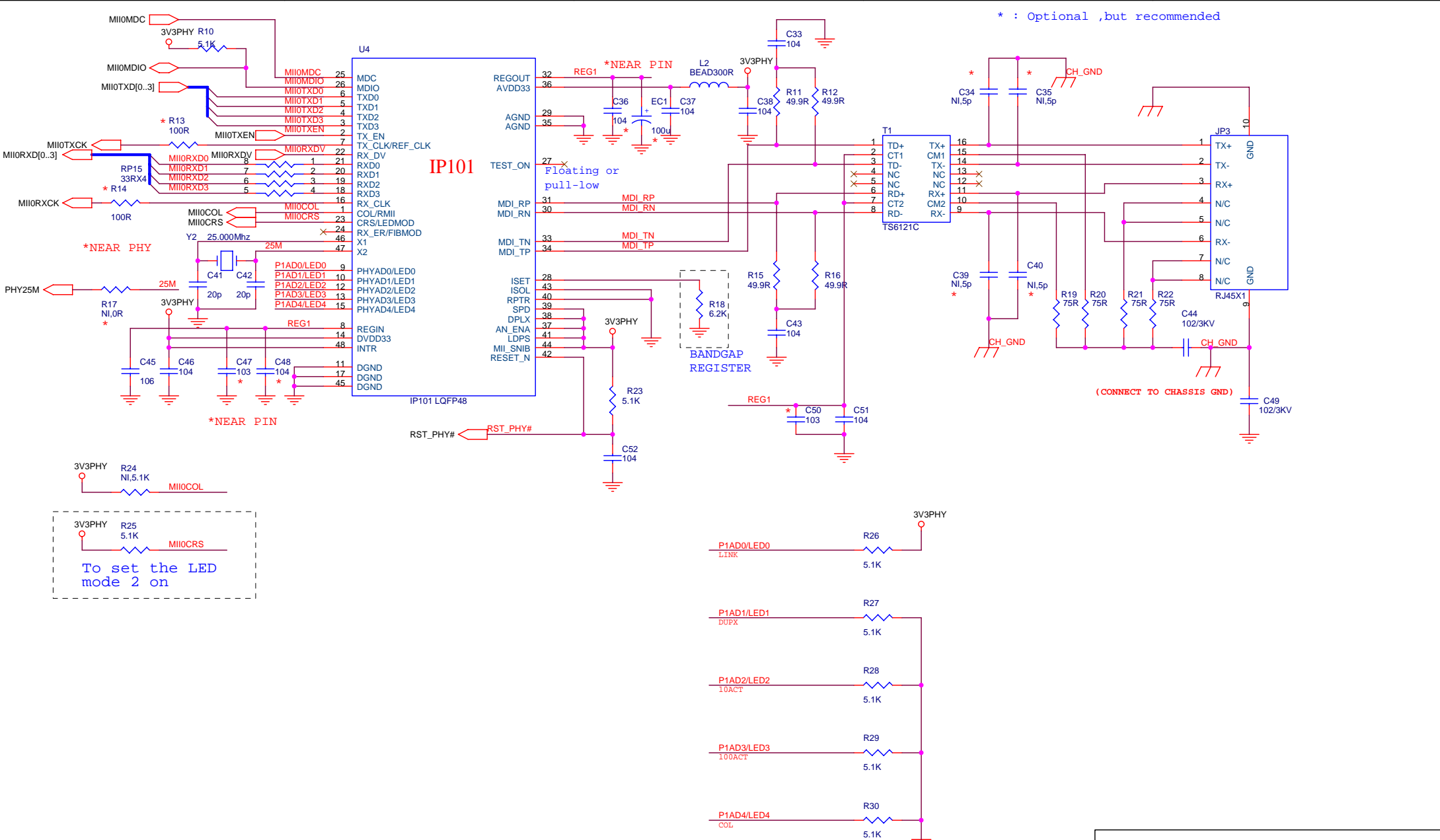


Title		
CM5000 Chip Circuit Diagram		
Size	Document Number	Rev
Custom<Doc>		1.0
Date:	Thursday, June 30, 2005	Sheet 1 of 7



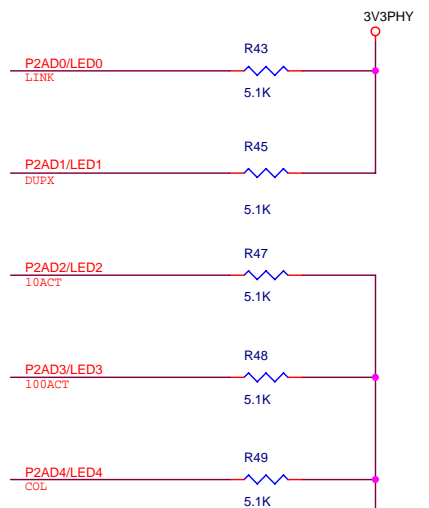
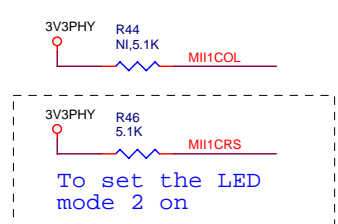
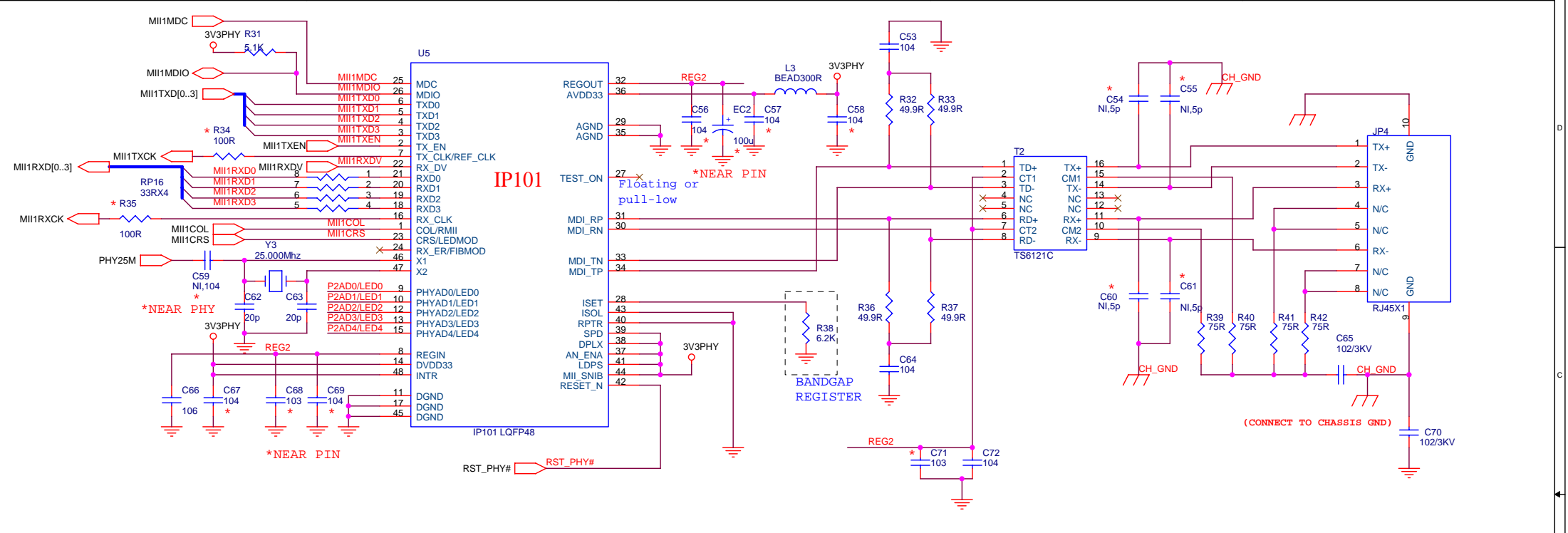
Title		
Memory Circuit Diagram		
Size	Document Number	Rev
B	<Doc>	1.0
Date:	Thursday, June 30, 2005	Sheet 2 of 7



To set the LED mode 2 on

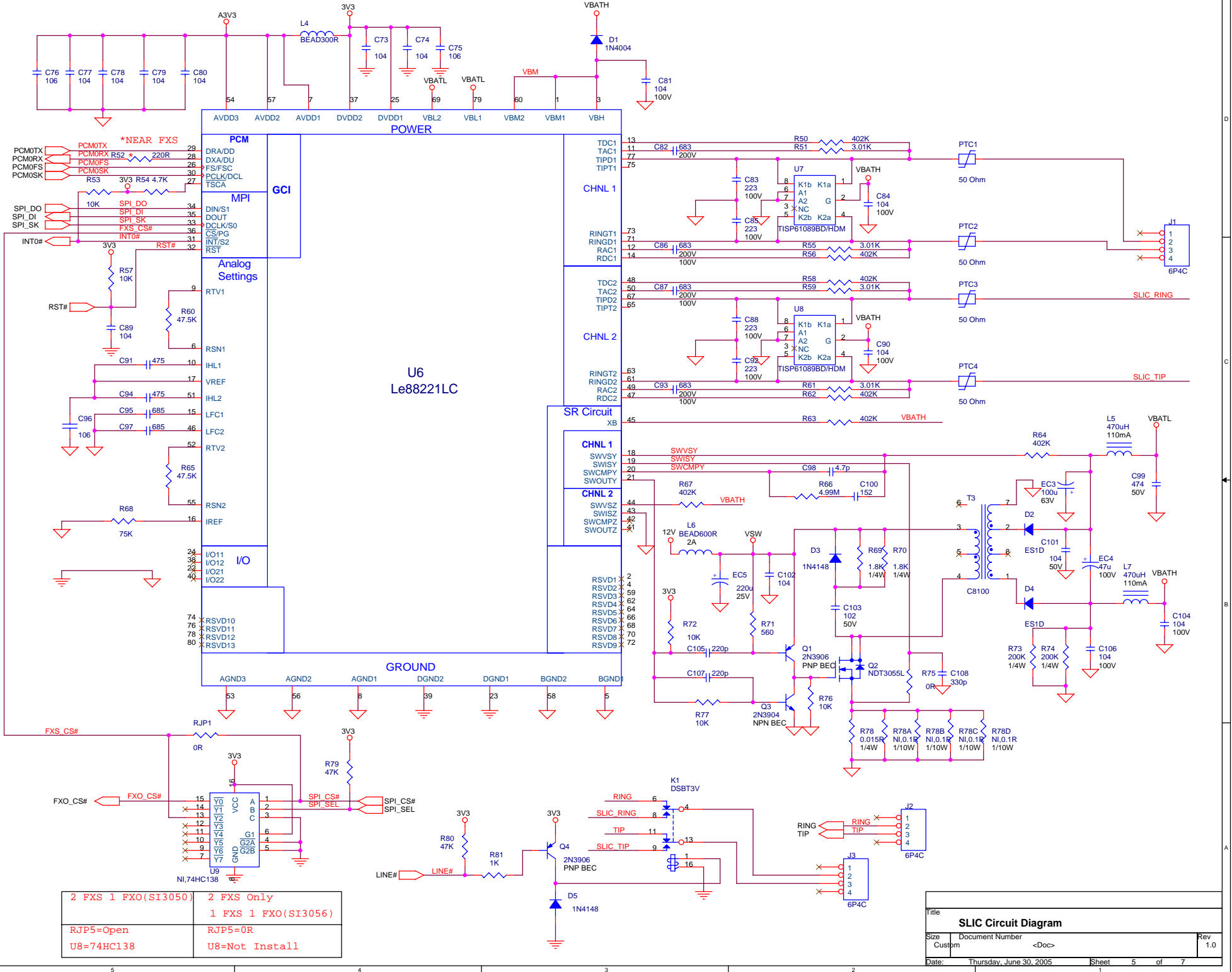
This schematic sets PHY address to 00001b.

Title		
PHY1 Circuit Diagram		
Size	Document Number	Rev
B		1.0
Date:	Thursday, June 30, 2005	Sheet 3 of 7



This schematic sets PHY address to 00011b.

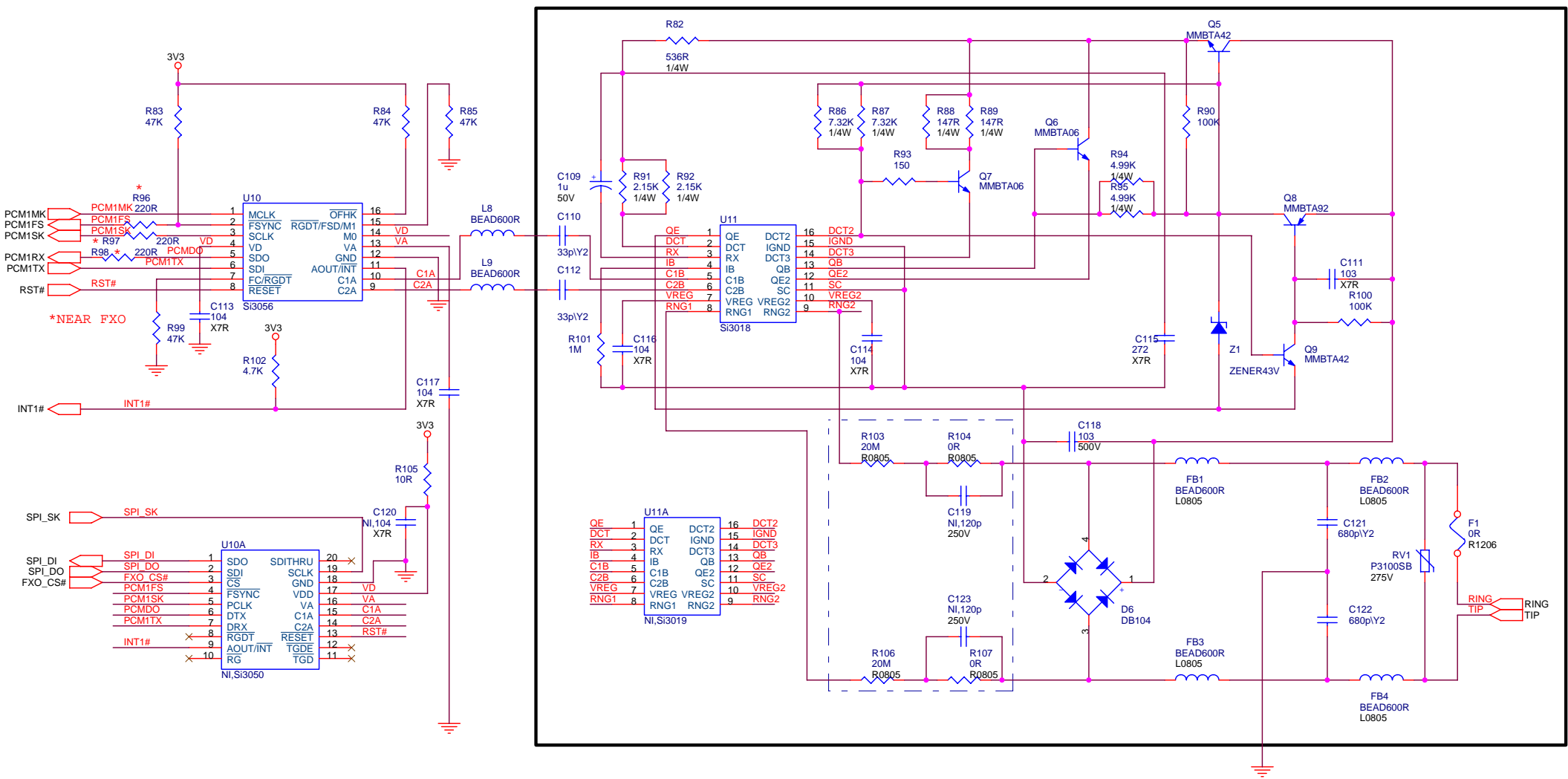
Title		
PHY2 Circuit Diagram		
Size	Document Number	Rev
B		1.0
Date:	Thursday, June 30, 2005	Sheet 4 of 7



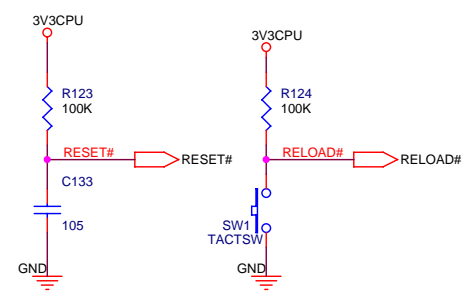
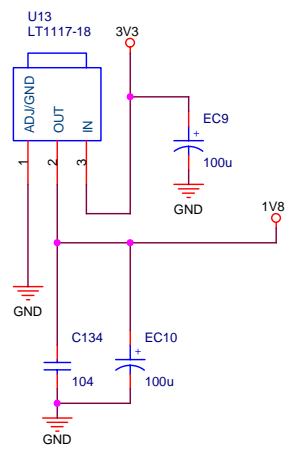
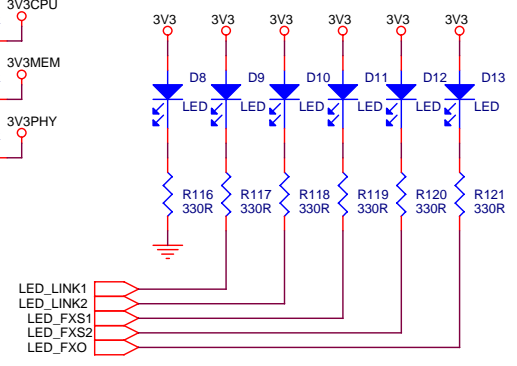
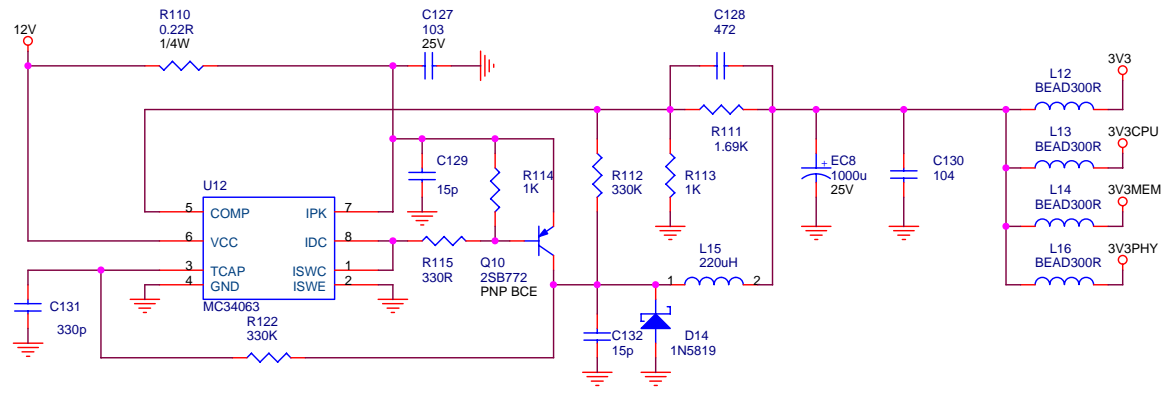
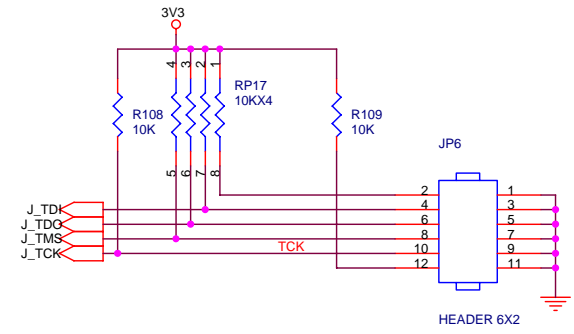
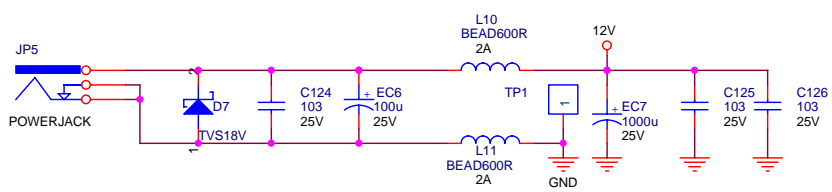
2 FXS 1 FXO(SI3050)	2 FXS Only
RJP5=Open	1 FXS 1 FXO(SI3056)
U8=74HC138	U8=Not Install

Title		SLIC Circuit Diagram	
Size	Document Number	Rev	1.0
Custom	<Doc>		
Date:	Thursday, June 30, 2005	Sheet	5 of 7

No Ground Plane In DAA Section



Title		
FXO Circuit Diagram		
Size	Document Number	Rev
B	<Doc>	1.0
Date:	Thursday, June 30, 2005	Sheet 6 of 7



Title		
Power Circuit Diagram		
Size	Document Number	Rev
B		1.0
Date:	Thursday, June 30, 2005	Sheet 7 of 7